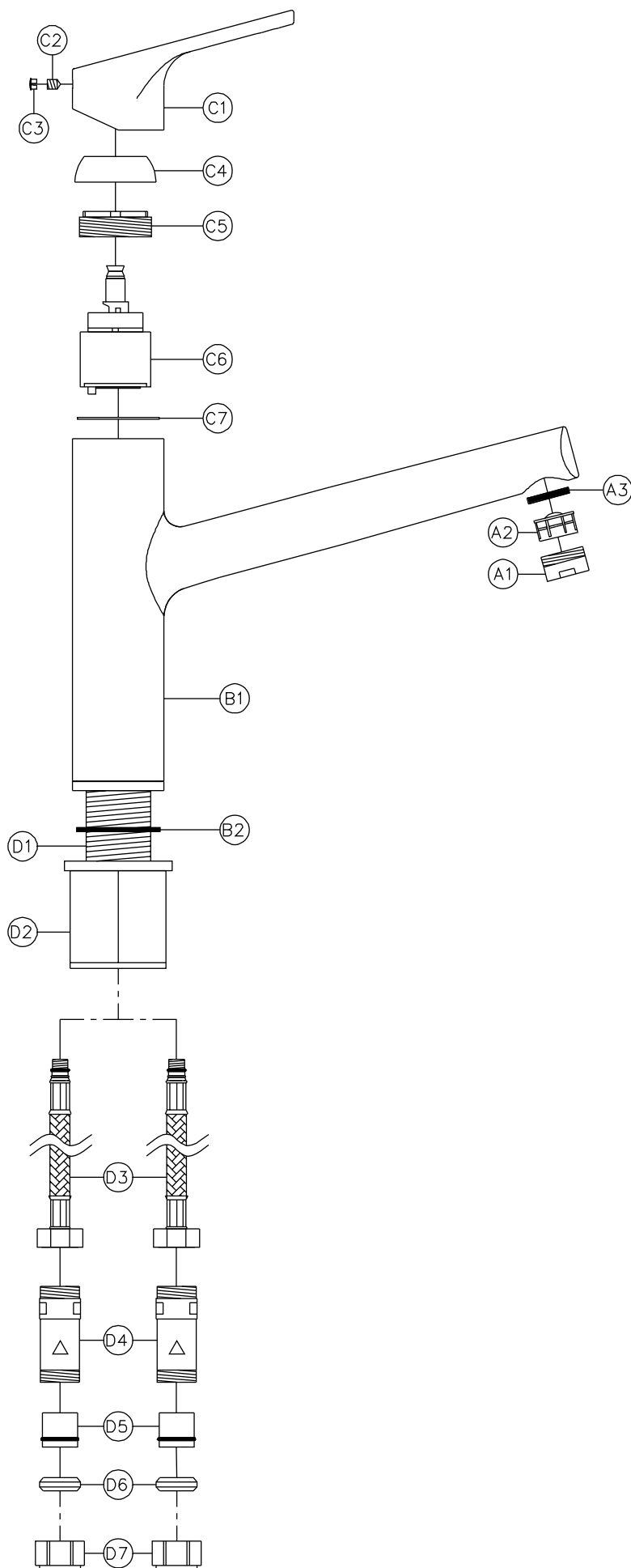


Mercury Single Lever

abode



Mercury Single Lever

abode

General Advice:

- These instructions are intended as a guide only, if you are in any doubt you should seek the advice of a qualified professional.
- Take care not to mark finished parts with screwdrivers or other tools.
- Use a pair of rubber gloves to get a better grip on decorative hand tight parts.
- Ensure all parts are reassembled tightly.
- After maintenance test that all assemblies are water tight and function correctly.
- Always isolate the hot and cold water supplies before starting any maintenance, once isolated you should drain any residual water from your system.

To replace the hot and cold valve:

1. Remove cap (C3) horizontally from handle (C1).
2. Loosen grub screw (C2) on the back of handle (C1) using a 2.5mm A/F allen key.
3. Pull the handle (C1) vertically away from the tap body (B1).
4. Unscrew the valve cover (C4) vertically away from tap body (B1) by hand.
5. With the tap (B1) fixed to the sink/base unit, using an adjustable spanner unscrew the valve lock nut (C5).
6. Clean the Inside of chamber (B1) with a soft wet cloth.
7. Replace the faulty valve (C6) with the new one and assemble in reverse order.